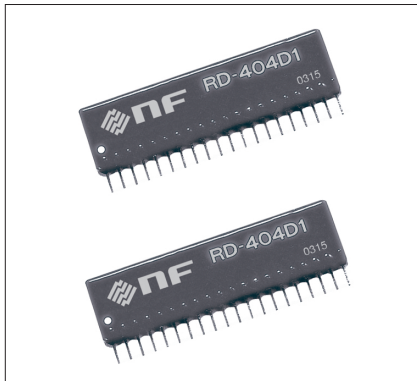


RD-404D1/2



RD-404D is a logic control resistor designed for SR series resistor tunable filters. The setting of cutoff (center) frequency under digital signals is enabled if RD-404D resistor is used in combination with SR series.

▼Absolute maximum ratings

Supply voltage (±Vs)	±18V
Input voltage	±Vs
Control voltage	+5.5V, -0.5V

▼Frequency setting mode

Mode	BCD 1 digit (0 to 15) BCD 1 digit + 1 (1 to 16, specified pin short ⑥-⑧, ⑩-⑪, ⑬-⑮, ⑰-⑱)
------	---

▼Frequency setting range

RD-404D1 (or RD-404D2) + SR filters

SR type	Type 1		Type 2		
RD mode	BCD	BCD+1	BCD	BCD+1	
RD-404D1	Min.	0Hz*	10Hz	0Hz*	100Hz
	Max.	150Hz	160Hz	1.5kHz	1.6kHz
	Resolution	10Hz	10Hz	100Hz	100Hz
RD-404D2	Min.	0Hz*	100Hz	0Hz*	1kHz
	Max.	1.5kHz	1.6kHz	15kHz	16kHz
	Resolution	100Hz	100Hz	1kHz	1kHz

* A voltage of 13V DC is present in filter output if 0Hz is selected.

Parallel connection of RD-404D1/2 + SR filters

SR type	Type 1		Type 2		
RD mode	404D2	BCD	BCD+1	BCD	BCD+1
	404D1	BCD	BCD	BCD	BCD
Min.		0Hz*	100Hz	0Hz*	1kHz
Max.		1.59kHz	1.69kHz	15.9kHz	16.9kHz
Resolution		10Hz	10Hz	100Hz	100Hz

▼Frequency setting accuracy

Accuracy	±1% (for RD-404D only)
----------	------------------------

▼Control characteristics

Code	BCD: 1 digit (8, 4, 2, 1)
Logic and level	0V : ON +5V or open: OFF
Level input process (internal)	Pulled up to +5V at 100kΩ

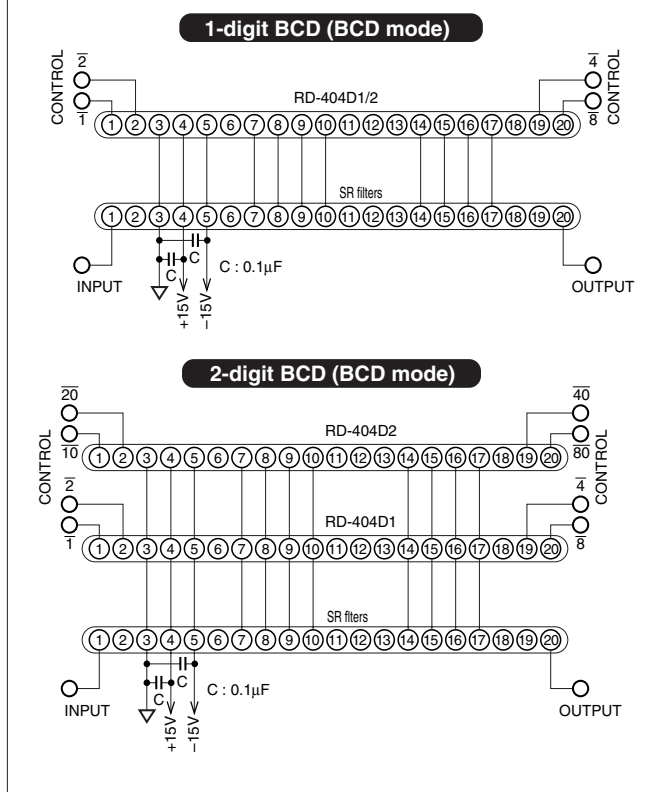
▼Others

Supply voltage	±15V (±5V to ±18V)
Quiescent current	+6.2mA, -1.2mA (typ)
Temperature/humidity range	Operation: -20°C to 70°C, 10 to 95%RH Storage: -30°C to 80°C, 10 to 80%RH
Dimensions	51.5 × 14 × 4.0mm, S20 type

Note: The following specifications are applied unless otherwise specified:
23±5°C, Vs=±15V

* Potential effects on characteristics including gain and rolloff may be concerned depending on the type of SR filters to be combined with. (especially if connected in parallel)

Basic connection diagram



Block diagram

