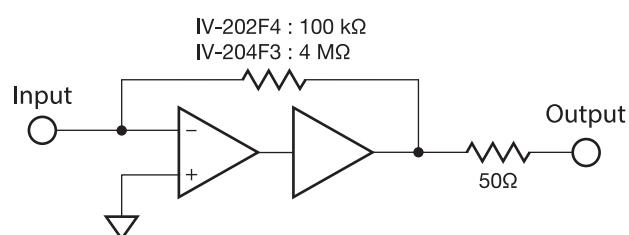




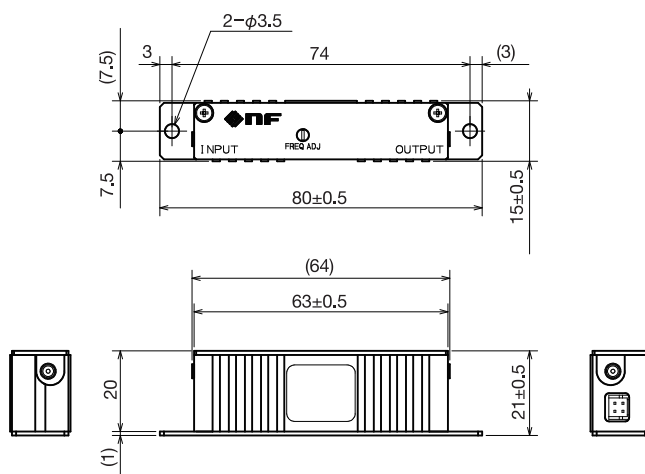
The IV-200 series is a compact current to voltage converter. These enable high precision measurements of low level current, and have adjuster counterbalancing input added capacitance to operate suitably. The 6-surface shielded package is a great contributor to the implementation of high precision signal processing.

	IV-202F4	IV-204F3
<b>▼ Absolute maximum ratings</b>		
Supply voltage ( $\pm V_s$ )	$\pm 18$ V	
Signal Input Current	$\pm 20$ mA	
<b>▼ Input</b>		
Input type	DC coupling unbalanced, single-ended input (SMB, Male)	
Input impedance	$\leq 30 \Omega$ @DC	$\leq 1.2k \Omega$ @DC
Input bias current	5 pA typ.	
Maximum input current	$\pm 100 \mu A$	$\pm 2.5 \mu A$
Equivalent input noise current density	$\leq 600$ fA/ $\sqrt{Hz}$ 450 fA/ $\sqrt{Hz}$ typ. f=10 kHz, Input opened	$\leq 90$ fA/ $\sqrt{Hz}$ 70 fA/ $\sqrt{Hz}$ typ. f=1 kHz, Input opened
Equivalent input noise current	$\leq 20$ nArms typ. 3 Hz to 20 MHz, Input opened	$\leq 1.1$ nArms typ. 3 Hz to 20 MHz, Input opened
Recommended signal source resistance	$\geq 25 k\Omega$ , $\leq 20$ pF	$\geq 1 M\Omega$ , $\leq 50$ pF
<b>▼ Output</b>		
Output type	DC coupling unbalanced, single-ended output (SMB, Male)	
Polarity	inverting	
Output impedance	$50 \Omega \pm 10 \%$	
Maximum output voltage	$\pm 10$ V	
Maximum output current	$\pm 5$ mA	
Output offset voltage	$\leq \pm 10$ mV, Input open	
<b>▼ Amplifier</b>		
Gain(V/A)	$1 \times 10^5$ V/A $\pm 5 \%$	$4 \times 10^6$ V/A $\pm 5 \%$
Frequency characteristic	DC to 10 MHz Reference frequency 10kHz $+1$ to $-3$ dB	DC to 1 MHz Reference frequency 10kHz $+1$ to $-3$ dB
<b>▼ Power Supply</b>		
Operating voltage range	$\pm 15$ V $\pm 1$ V	
Quiescent current	$\pm 40$ mA (max), $\pm 25$ mA (typ.) With no signal, $V_s = \pm 15$ V	
Connector	DF11-4DP-2DS(52)(4 pins, Male) (HIROSE ELECTRIC)	
<b>▼ General</b>		
RoHS	Directive 2011/65/EU	
Adjuster counterbalancing input added capacitance	Adjust frequency characteristic when the characteristic has "peak" with high capacitance adding input.	
Specified temperature	$23 \text{ }^\circ\text{C} \pm 5 \text{ }^\circ\text{C}$	
Operating environment	0 to $40 \text{ }^\circ\text{C}$ , 10 % RH to 90 % RH	
Storage environment	$-10 \text{ }^\circ\text{C}$ to $60 \text{ }^\circ\text{C}$ , 10 % RH to 80 % RH	
Dimensions(mm)	80 $\times$ 15 $\times$ 21 (not including protrusions)	
Weight	Approx. 25 g	
Accessories	Instruction manual, DC power cable	

## Block Diagram



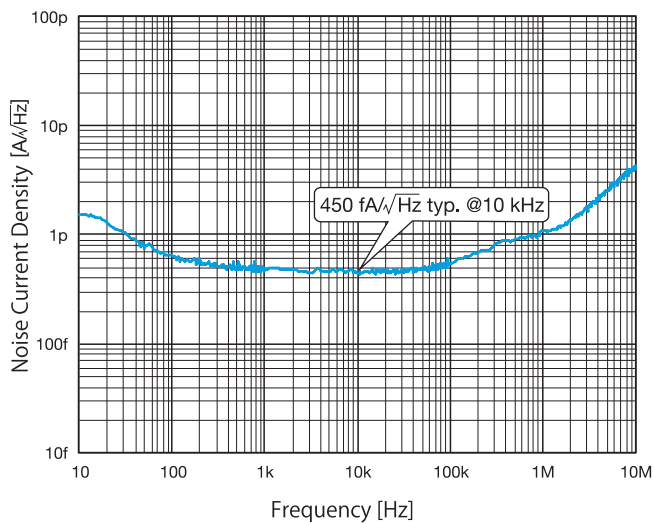
## Dimensions



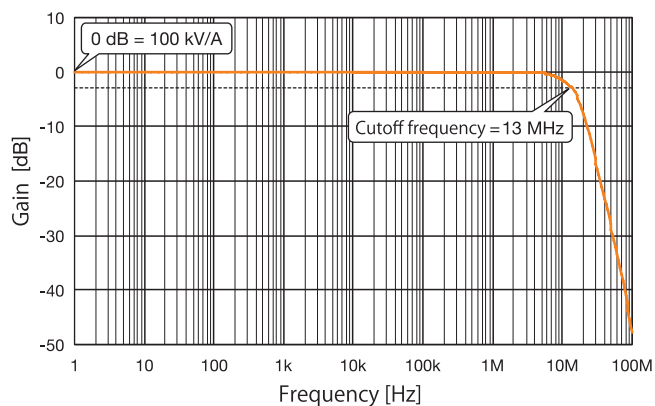
Characteristics

■ IV-202F4

Noise

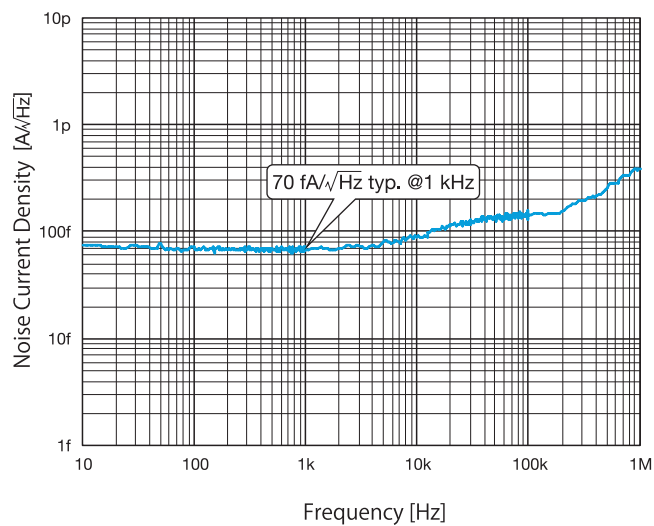


Frequency



■ IV-204F3

Noise



Frequency

